

CAMERIO Colour Fixed Domes / Vandal Resistant Domes



Vandal Resistant



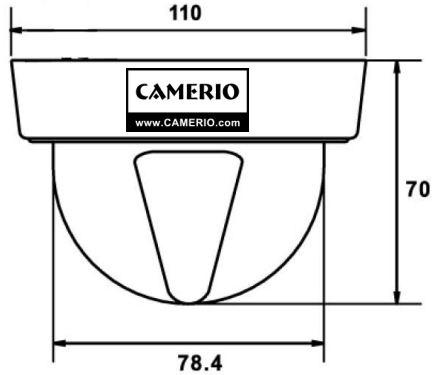
Vandal Resistant



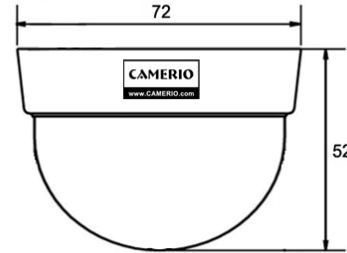
Vandal Resistant

	Colour Dome Camera		Compact Metallic Base Dome		Indoor Vandal Resistant Dome						Colour Dome Camera	Outdoor Vandal Resistant Dome				Mini Vandal Resistant Dome	
Model	DF103	DF103W	DF105	DF108	DF113	DF113S	DF116	DF116W	DF116S	DF117	DF115	DF173	DF176	DF177	DF198	DF175	
Pick Up Device	1/3" interline transfer CCD		1/3" interline transfer CCD		1/3" interline transfer CCD						1/3" interline transfer CCD	1/3" interline transfer CCD				1/3" interline transfer CCD	
Horizontal Resolution	420 TVL		420 TVL	540 TVL	420 TVL		480 TVL		540 TVL	420 TVL	420 TVL	480 TVL	540 TVL		480 TVL		
Lens	3.6mm	2.9mm	3.6mm		3.6mm	6mm	3.6mm	2.8mm	6mm	3.6mm	2.8mm	3.6mm		2.8-10mm		3.6mm	
View Angle (Horizontal)	68°	90°	68°		68°	55°	68°	93°	55°	68°	93°	68°		28°-94°		68°	
Auto-iris Lens	-		-		-						-	-				Yes	-
Min. Illumination	0.3 Lux / F2.0		0.5 Lux / F1.2	0.1 Lux / F1.2	0.5 Lux / F1.2		0.5 Lux / F2.0		0.1 Lux / F1.2	0.5 Lux / F1.2	0.5 Lux / F1.2	0.5 Lux / F1.2	0.5 Lux / F2.0	0.1 Lux / F1.2	0.5 Lux / F1.2	0.5 Lux / F2.0	
Electronic Shutter	1/50 (1/60) to 1/100,000 sec		1/50 (1/60) to 1/100,000 sec		1/50 (1/60) to 1/100,000 sec						1/50 (1/60) to 1/100,000 sec	1/50 (1/60) to 1/100,000 sec				1/50 (1/60) to 1/100,000 sec	
Electronic Shutter Control	Built-in		Built-in		Built-in						Built-in	Built-in				Built-in	
Back Light Compensation	Built-in		Built-in		Built-in						Built-in	Built-in				Built-in	
S/N Ratio	More than 48dB (AGC off)		More than 48dB (AGC off)		More than 48dB (AGC off)						More than 48dB (AGC off)	More than 48dB (AGC off)				More than 45dB (AGC off)	
White Balance	Auto		Auto		Auto						Auto	Auto				Auto	
Video Output	1.0 Vp-p, 75Ω		1.0 Vp-p, 75Ω		1.0 Vp-p, 75Ω						1.0 Vp-p, 75Ω	1.0 Vp-p, 75Ω				1.0 Vp-p, 75Ω	
Auto Gain Control	Yes		Yes		Yes						Yes	Yes				Yes	
Power Source	DC 12V / 200mA		DC 12V / 200mA		DC 12V / 200mA						DC 12V / 200mA	DC 12V / 200mA	DC 12V / 120mA	DC 12V / 200mA		DC 12V / 200mA	
Operating Temperature	-10°C ~ +50°C		-20°C ~ +50°C	-10°C ~ +50°C	-20°C ~ +50°C						-20°C ~ +50°C	-20°C ~ +50°C		-10°C ~ +50°C		-10°C ~ +60°C	
Weather Proof Standard	-		-		-						-	IP66				IP66	
Humidity	< 85%		30% ~ 90%		< 90%						< 90%	-				-	
Weight (g)	150		180		240	230					250	560	570	580	210		

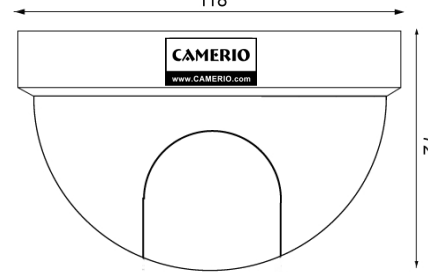
DF103 / DF103W



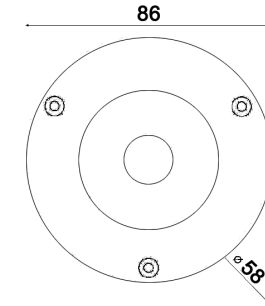
DF105 / DF108



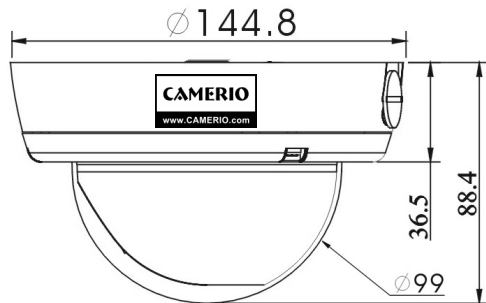
**DF113 / DF113S /
DF116 / DF116W / DF116S
DF117**



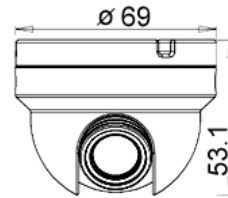
DF115



DF173 / DF176 / DF177 / DF198



DF175



TeleEye Group

Signal Communications Limited

Units 202-203, 2/F, Laford Centre, 838 Lai Chi Kok Road, Kowloon, Hong Kong
 International: (852) 2995 5996 Hong Kong: (852) 2995 5992 Fax: (852) 2995 5901
 Email: info@TeleEye.com Web: www.TeleEye.com

TeleEye Europe Ltd.
 4 Maidenhead Enterprise
 Centre, Cordwallis Street,
 Maidenhead,
 Berkshire SL6 7BE,
 United Kingdom
 Tel: (44) 1628 776061
 Fax: (44) 1628 407399
 Email: ukinfo@TeleEye.com

TeleEye (S) Pte Ltd.
 10 UBI Crescent,
 #06-09 Lobby A UBI Techpark
 Singapore 408564
 Tel: (65) 6745-3921
 Fax: (65) 6742-1965
 Email: sales@TeleEye.com.sg

**TeleEye Digital Technology
 (Shenzhen) Co., Ltd.**
 Room A602,
 Shenzhen Virtual University Park,
 Shenzhen Hi-Tech Industrial Park,
 Shenzhen, China
 Tel: (86) 755-2671-2122
 Fax: (86) 755-2671-2287
 Email: info@TeleEye.com.cn

TeleEye Hrvatska
 Kranjčevićeva 16
 52100 Pula, Croatia
 Tel: (385) 52-383-102
 Fax: (385) 52-383-101
 Email: info@TeleEye.hr

TeleEye Philippines Inc
 291-H Del Monte Avenue
 Quezon City
 Metro Manila, Philippines
 Tel: (63) 2-3650897
 Fax: (63) 2-3651446
 Email: contact@TeleEye.com.ph

TeleEye (Mauritius) Ltd.
 Lamberty Street, Vacoas –
 Mauritius
 Tel: (230) 686 5238
 Fax: (230) 698 2179
 Email: info@TeleEye.com.mu

TeleEye (South Africa) (Pty) Ltd
 Unit 4, No. 4 Homestead Avenue,
 Bryanston
 P O Box 2375, Saxonwold 2132
 South Africa
 Tel: (27) 11 557 9200
 Fax: (27) 11 706 3847
 Email: info@TeleEye.co.za

**Companhia TeleEye (Macau)
 Limitada**
 D'Assumpção, n°180,
 Edifício Tong Nam Ah Centro
 Comercial, 10° andar J, em Macau
 Tel: (853) 2857 5933
 Fax: (853) 2857 5911
 Email: info@TeleEye.com.mo